

Garnet70

NEW ERA IN SERIES OF 70MM WIDTH



Türkoba Mah. Fırat Plastik Cad. 23
Büyükdere 34537 İstanbul Turkey

T 0090 (212) 866 41 41 | 866 42 42
444 9 378 (FRT) | 0 800 219 80 20 **MÜŞTERİ DANIŞMA HATTI**
F 0090 (212) 859 04 00 | 859 05 00
E firat@firat.com | info@firat.com
winhouse@firat.com | musterihizmetleri@firat.com

www.firat.com | www.winhouse.com.tr

FACEBOOK | TWITTER | LINKEDIN [firatplastik](https://www.facebook.com/firatplastik)

FIRAT



GARNET 70 WINDOW AND DOOR SYSTEM

NEW ERA IN SERIES OF 70MM WIDTH GARNET 70

Today's city culture and structural technologies are shaped at totally new dimensions. Cities are full of differentiating silhouettes caused by this change. New living areas make aesthetics, isolation, comfort, and efficiency principles to come forward. Following closely this change, we fulfill the need of the differentiating construction technologies with a new series. Garnet Series which interpret 70 mm series with a different aesthetics and isolation perspective is the new choice of the modern structures.

ABOVE-STANDARD SOLUTIONS WITH 70MM SERIES

Garnet 70 series, which was designed to bring new dimension to the quality and aesthetic understanding of the window standard, increases the comfort in your living areas with the excellent heat and sound insulation. Garnet, whose all profiles have got 70 mm width and 5 chambered design, is the new choice of the architecture. Garnet fulfils the expectations of the new trends with its 21 different color options and starts a new era of windows providing excellent heat and sound insulation in the modern structures.

SYSTEM

→ Garnet 70 system, which provides esthetical integrity thanks to the Oval Drained Sash profile, has two different drained sash profiles options. Oval drained sash profile has the same ovality with the frame; and another drained sash profile is with sharper edges, these are also offered with Garnet 70 system, depending on the customers demand.

→ All main profiles of Garnet 70 series have a width of 70 mm.

→ While the system has 4 different types of oval shaped glazing beads which increase the interior width, it also offers 4 different decorative glazing bead profile alternatives.

→ It can solve all the architectural details thanks to its detailed and auxiliary profiles designed compatible with its main profiles.

→ Glass application until 40 mm can be done thanks to the system's glazing bead profiles.

→ Garnet 70 series provides you options to meet decorative expectations and add value to your house with its 21 different laminated color application.

WIND LOAD RESISTANCE

→ Garnet 70 systems were designed according to the safety of 3.000 Pa (245 km/h) wind load resistance and the strength of 600 Pa (110 km/h) water impermeability and has successfully passed these tests.

→ While developing Garnet 70 system, the maximum wind load values to which the buildings can be exposed were taken into the consideration; the structure of the reinforcement steel and their locations inside the profiles were designed in the most effective way.

→ System, whose detailed and grillage profiles provide solutions to meet the architectural needs, easily ensures the closure of the wide openings and necessary resistance values.

WATER AND AIR IMPERMEABILITY

→ Garnet 70 series provides high resistance to water even at high wind loads, thanks to its water drainage channels and sets designed to discharge the rainwater faster and in an easier way.

→ The system did not leak any water inside and proved its high quality under tests carried out with 600 Pa (110 km/h) wind load and 4 liters of rainwater per minute.

HEAT INSULATION

→ The profile designs of the Garnet Series were made as for the thermal conductivity coefficient values to be at minimum levels. Profile widths, chamber numbers and chamber widths of the system were created to keep the heat and sound isolation at the maximum levels.

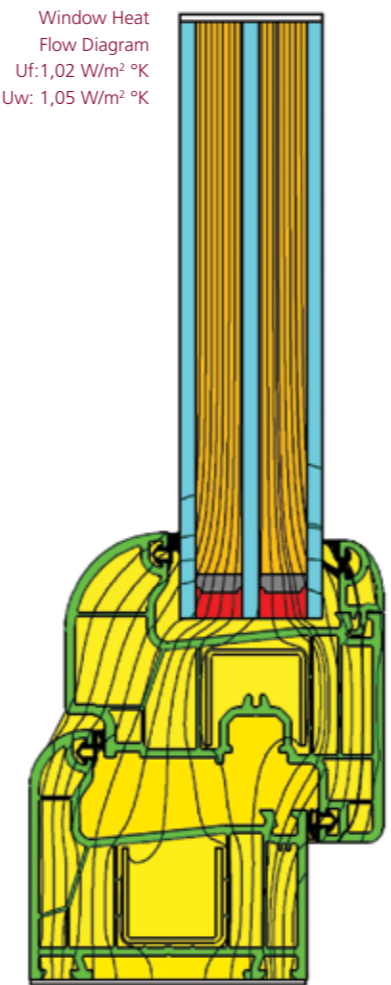
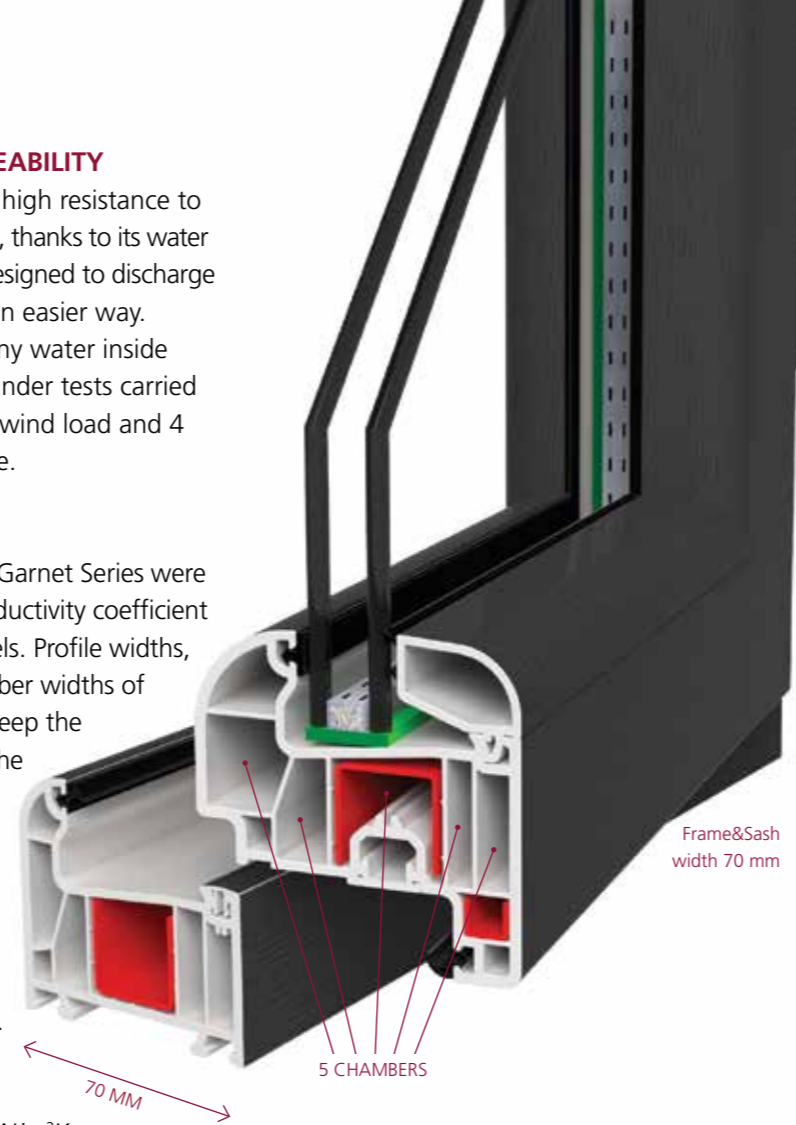
→ All profiles of Garnet 70 system have a structure of 5 chambers and since the chamber widths are large, low level thermal conductivity coefficient values are provided.

→ Compatible with TS EN ISO 10077-2 standards, Ug : 0,7 W/m²K, Uw : 1,05 W/m²K and Uf : 1,2 W/m²K values were accomplished with the windows system which has a size of 1,23 m x 1,43 m.

SOUND ISOLATION

→ One of the most important criteria in window systems is the sound isolation. High sound levels about 70dB in the areas close to airports, railways or crowded highways are decreased to values under 30 dB at which a child can sleep easily.

→ Sound isolation up to 40 dB value can be provided with Garnet 70 series. Therefore, it is possible to create a sound environment at a high quality life level even at the loudest places.



COLOUR AND DESIGN CHART

PROFILE WIDTH 70 mm

NUMBER OF THE CHAMBERS 5 pcs

AIR IMPERMEABILITY CLASS 4

WATER IMPERMEABILITY CLASS 9A

WIND LOAD RESISTANCE CLASS C3

SOUND INSULATION 40 db

PROFILE HEAT INSULATION 1,2 W/m² °K

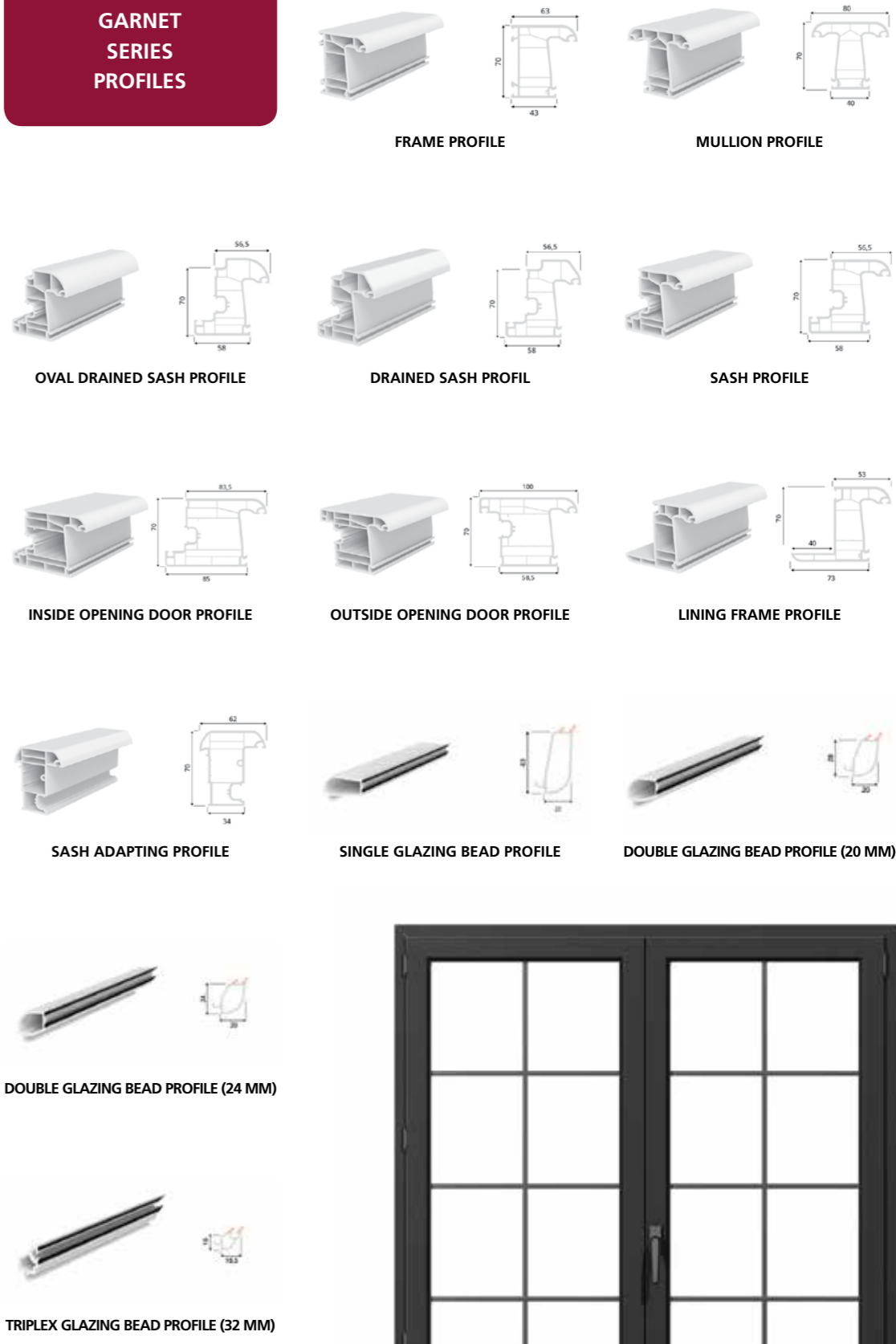
WINDOW HEAT INSULATION 1,05 W/m² °K

The calculations were made by using a glass unit with a thermal conductivity coefficient of 0,7 W/m²°K for a window with dimensions of 1,23x1,43 m in accordance with the standard TS EN ISO 10077-2.



WHITE	CREAM WHITE	MANOGANY
EICHE RUSTICAL	DARK OAK	DARK GREEN
STEEL BLUE	GOLDEN OAK	OAK
WALNUT	CEDAR	ANTEAK
WINCHESTER	MACORE	ANTHRACITE
ASH	TROMPET	GREY
SILVER BRUSH EFFECT	SILVER D (SILVER GREY)	ALUMINIUM BRUSH EFFECT

GARNET SERIES PROFILES



Garnet 70 window with an adapter

